

Double-eccentric kinematics, and all stainless steel bodies and trims guarantee high performance corrosion resistant service for application of KITZ UB type butterfly valves to chemical industries.

Rigid SUS304N2 stainless steel stem

Gland can be retightened without lever of gear disassembly

Lubrication-free, friction-resistant stem bearing made of SUS316 and PTFE

Corrosion resistant PTFE seat ring built in SUS304* seat retainer

Integral disc stopper to protect seat ring from damage

Double-eccentric kinematics is employed for SUS13* disc which seating surface is spherically machined and hard chromium plated.

Round stem for 5" and larger. Square stem for 4" and smaller.

Low-friction V shape PTFE gland packings

Rigidly built SCS13* body with ANSI Class 150 wall thickness.

Corrosion resistant PTFE gasket

SUS304* ring for provision of blowout-proof stem

*SCS14 or SUS316 is available as an option.

Materials

Parts	JIS Material
Body	SCS13*
Disc	SCS13*
Stem	SUS304N2
Gland	SCS13*
Seat ring	PTFE
Seat retainer	SUS304*
Gland packing	PTFE
Gasket	PTFE
Seat retainer bolts	SUS304*
Taper pin	SUS304*
Stem bearing	Reinforced PTFE
Gland bolts	SUS304
Thrust washer	PTFE
End plate	SCS13*
End plate bolts	SUS304
Handle	FCD450
Stop lever	FCD450
Ring	SUS304*

*SCS14 or SUS316 is available as an option.

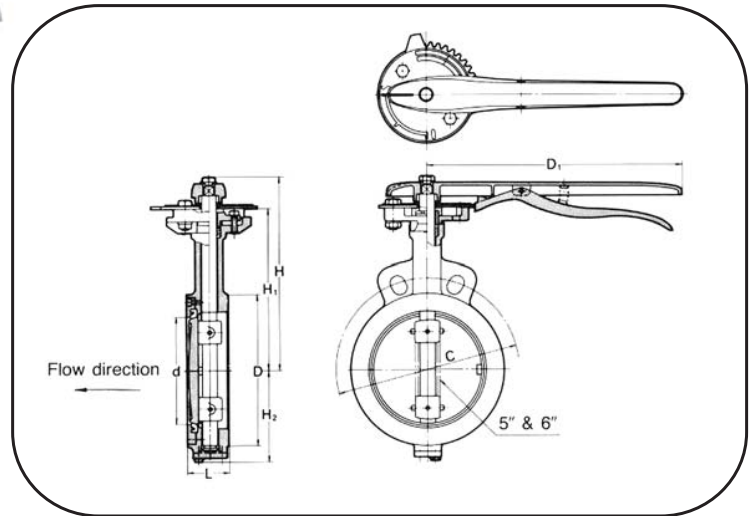
Technical specifications

Maximum service pressures	10K-1.37Mpa (14 kgf/cm ²)	16K-1.96Mpa (20 kgf/cm ²)
Service temperature service	PTFE seat -29 °C to +160 °C Carbon filled PTFE seat -29 °C to +200 °C	
Wall thickness:	ANSI B16.34 Class 150 ISO 5752	
Face-to-face dimensions	Short: 6" and smaller Medium: 8" and larger 10K - JIS 5K/10K	
Coupling flanges	16K - JIS 16K Class 150 - ANSI Class 150	
Test pressure:	10K - shell test 2.35Mpa (24 kgf/cm ²) (hydrostatic) seat test 1.47MPa (15 kgf/cm ²) (hydrostatic) 0.59MPa (6 kgf/cm ²) (pneumatic)	
16K	shell test 2.94Mpa (30 kgf/cm ²) (hydrostatic) Class 150 - seat test 2.16Mpa (22 kgf/cm ²) (hydrostatic) 0.59Mpa (6 kgf/cm ²) (pneumatic)	

BUTTERFLY VALVES **UB** Type Stainless Steel

10UB : Class 10K / 16UB : Class 16K / 150UB : Class 150 / Lever Operated

KITZ valve fig. shall be suffixed with M in case of SCS14A stainless steel body and trim

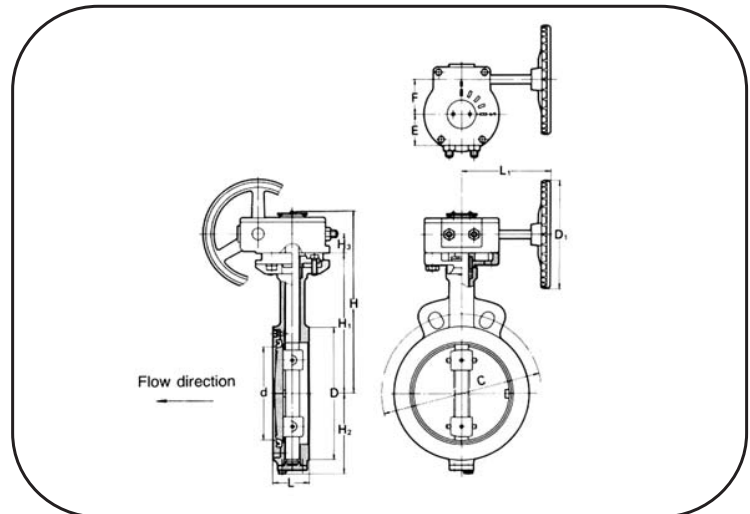


Dimensions

Size		d	H	H ₁	H ₂	L	D	D ₁	C		
mm	inch								10K	16K	150
50	2	50	174	138	64	43	90	230	120	120	120.5
65	2½	65	184	148	74	46	115	230	140	140	139.5
80	3	78	205	167	82	46	126	280	150	160	152.5
100	4	98	219	181	92	52	146	280	175	185	190.5
125	5	123	242	202	105	56	181	350	210	225	216.0
150	6	148	265	225	127	56	211	350	240	260	241.5

GL-10UB : Class 10K / GL-16UB : Class 16K / GL-150UB : Class 150 / Long Spindle Gear Operated

KITZ valve fig. shall be suffixed with M in case of SCS14A stainless steel body and trim



Dimensions

Size		d	H	H ₁	H ₂	H ₃	L	L ₁	D	D ₁	E	F	C			Gear type
mm	inch												10K	16K	150	
50	2	50	191	138	64	25	43	150	90	140	35	42.5	120	120	120.5	No.1
65	2½	65	201	148	74	25	46	150	115	140	35	42.5	140	140	139.5	
80	3	78	225	167	82	28	46	195	126	170	42	60	150	160	152.5	
100	4	98	239	181	92	28	52	195	146	170	42	60	175	185	190.5	No.2
125	5	123	260	202	105	28	56	204	181	200	42	60	210	225	216.0	
150	6	148	283	225	127	28	56	204	211	200	42	60	240	260	241.5	
200	8	197	350	263	164	47	71	280	257	310	54	65.5	290	305	298.5	No.3
250	10	243	417	315	235	60	76	310	322	360	64	88.5	355	380	362.0	No.4
300	12	295	444	342	258	60	83	310	367	360	64	88.5	400	430	432.0	No.6
350	14	325	476	374	278	60	92	363	410	500	70	93.5	445	480	476.5	
400	16	371	572	408	315	95	102	377	470	500	90	134	510	540	539.5	
450	18	421	606	442	358	95	114	377	530	500	90	134	565	605	578.0	No.7
500	20	470	622	458	398	95	127	377	580	500	90	134	620	660	635.0	
600	24	569	758	558	465	170	154	377	688	500	105	213	730	770	749.5	