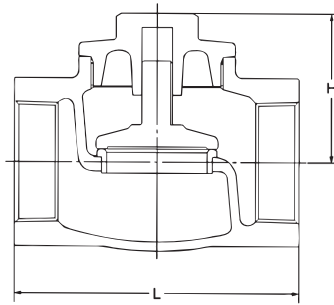


Fig. 10SF



Class JIS10K



Dimensions

size	mm		mm					
	inch		15	20	25	32	40	50
L			65	80	90	105	120	140
H			39	42	48	56	65	73

120°C Static water.....1.37MPa(14kgf/cm²)
 220°C Steam, air,gas,oil.....0.98MPa(10kgf/cm²)

- Use for lubricating or hydraulic oil is acceptable. Contact KITZ Corporation for technical advice, if valves are used as heat transfer media.

Test pressure

Body	2.06MPa (21kgf/cm ²) [hydrostatic]
Seat	1.51-0.50MPa (15.4-5.1kgf/cm ²) [hydrostatic]
	0.59MPa (6kgf/cm ²) [air]

Materials

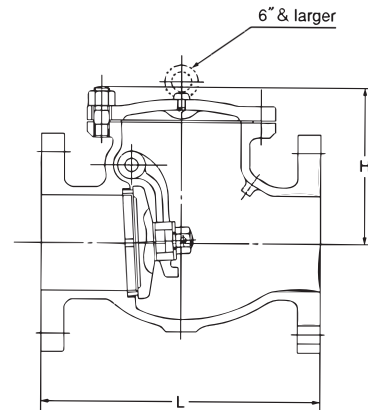
Parts	JIS material
Body	FCD-S
Cap	SUS 403
Disc	SUS 403
Body seat ring	SUS 403

Fig. 10SRBF



Class JIS10K

- Use for lubricating or hydraulic oil is acceptable. Contact KITZ Corporation for technical advice, if valves are used as heat transfer media.
- Bolting materials will be changed for servicing high temperature exceeding 225°C. Contact KITZ Corporation for detailed information.
- A gasket will be used for seating the plug for application to high temperature exceeding 260°C. Specify your service temperature in advance. Ensure replacement of plug gasket on your valve maintenance.



Dimensions

size	mm		mm										
	inch		40	50	65	80	100	125	150	200	250	300	
L			165	203	216	241	292	330	356	495	622	698	
H			115	120	130	145	160	195	215	255	310	350	

120°C Static water.....1.37MPa(14kgf/cm²)
 220°C Steam, air,gas,oil.....1.18MPa(12kgf/cm²)
 300°C Steam, air,gas,oil.....0.98MPa(10kgf/cm²)

Test pressure

Body	2.06MPa (21kgf/cm ²) [hydrostatic]
Seat	1.51-0.50MPa (15.4-5.1kgf/cm ²) [hydrostatic]
	0.59MPa (6kgf/cm ²) [air]

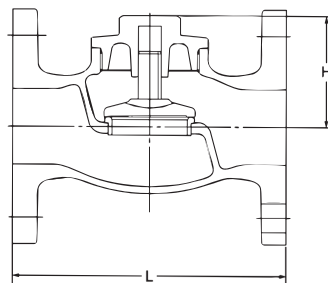
Materials

Parts	JIS material
Body	FCD-S
Cover	FCD-S
Disc	SUS 403 (8"-12" : SCPH2+13Cr)
Disc nut	SS 400 (5"-12" : SUS304)
Body seat ring	SCS 1 (5"-12" : SUS403)
Arm	SCS 13A (5"-12" : SFVC2A or SCHK2)
Hinge pin	SUS 403
Split pin	SUS 304
Plug	SS 400
Washer	SS 400
Gasket	Non asbestos
Cover bolt/nut	SS 400

Fig. 10SFBF



Class JIS10K



120°C Static water.....1.37MPa(14kgf/cm²)
 220°C Steam, air,gas,oil.....0.98MPa(10kgf/cm²)

- Use for lubricating or hydraulic oil is acceptable. Contact KITZ Corporation for technical advice, if valves are used as heat transfer media.

Test pressure

Body	2.06MPa (21kgf/cm ²) [hydrostatic]
Seat	1.51-0.50MPa (15.4-5.1kgf/cm ²) [hydrostatic]
	0.59MPa (6kgf/cm ²) [air]

Materials

Parts	JIS material
Body	FCD-S
Cap	SUS 403
Disc	SUS 403
Body seat ring	SUS 403

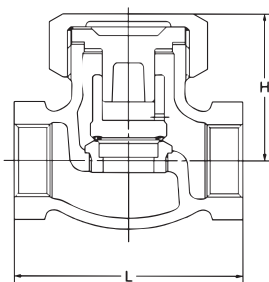
Dimensions

size	mm		mm					
	inch		15	20	25	32	40	50
L			85	95	110	130	150	180
H			39	42	48	56	65	73

Fig. 20SN



Class JIS20K



Dimensions

size	mm	15	20	25	32	40	50
	inch						
		1/2	3/4	1	1 1/4	1 1/2	2
L		78	91	105	122	135	160
H		56	60	68	80	85	99

120°C Static water.....	2.75MPa(28kg/cm ²)
220°C Steam,air,gas,oil.....	2.45MPa(25kg/cm ²)
300°C Steam,air,gas,oil.....	2.26MPa(23kg/cm ²)
350°C Steam,air,gas,oil.....	1.96MPa(20kg/cm ²)

- Use for lubricating or hydraulic oil is acceptable. t/cm²

Test pressure

Body	4.12MPa (42kgf/cm ²) [hydrostatic
Seat	3.02-1.01MPa (30.8-10.3kgf/cm ²) [hydros
	0.59MPa (6kgf/cm ²) [air] tatic]

Materials

Parts	JIS material
Body	FCD-S
Bonnet	SCS 1
Disc	SCS13A+HF*
Bonnet ring	FCD-S
Gasket	Non asbestos
Body seat ring	SCS13A+HF*

*Hard-faced with Co-Cr-W alloy