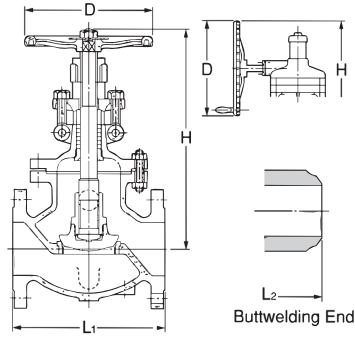


**Fig. 150SCJS**



**Class 150**



Gear Operation for 10" and larger  
Hammer-blow Type Handwheel for 6" & 8"

**Bolted bonnet, Outside screw-and-yoke, Rising stem and handwheel, Swivel disc.**

**Standard materials of parts**

Parts	Materials
Body	ASTM A216 Gr.WCB
Bonnet	ASTM A216 Gr.WCB
Stem	ASTM A276 Tp.403
Disc	ASTM A182 Gr.F6a ( 1 1/2" ~ 5" ) ASTM A105+13Cr (6" & larger)
Lock nut	ASTM A182 Gr.F6a
Body seat ring	ASTM A105+HF
Gland	ASTM A182 Gr.F6a
Gland packing	Non asbestos
Gland flange	ASTM A105 ASTM A276 Tp.403 (10" & larger)
Handwheel	Ductile iron
Gasket	Asbestos sheet
Bonnet bolt/nut	ASTM A193 Gr.B7/A194 Gr.2H
Gland bolt/nut	ASTM A576 Gr.1045/A194 Gr.2H
Bonnet bush	ASTM A182 Gr.F6a ASTM A439 Tp.D2 (10" & larger)
Yoke bush	ASTM A439 Tp.D2

**Dimensions**

Valve Size	inch mm	mm												
		1 1/2	2	2 1/2	3	4	5	6	8	10	12	14	16	18
L <sub>1</sub>	in.	6.50	8.00	8.50	9.50	11.50	14.00	16.00	19.50	24.50	27.50	31.00	36.00	38.50
	mm	165	203	216	241	292	356	406	495	622	698	787	914	978
L <sub>2</sub>	in.	6.50	8.00	8.50	9.50	11.50	14.00	16.00	19.50	24.50	27.50	31.00	36.00	38.50
	mm	165	203	216	241	292	356	406	495	622	698	787	914	978
H	in.	12.2	13.1	14.1	15.4	18.1	19.1	20.2	24.8	37.6	40.4	42.6	48.1	51.4
	mm	310	332	359	390	460	484	513	630	955	1025	1082	1222	1305
D	in.	7.9	7.9	8.9	9.8	9.8	11.8	13.8	15.7	19.7	19.7	19.7	23.6	23.6
	mm	200	200	225	250	250	300	350	400	500	500	500	600	600